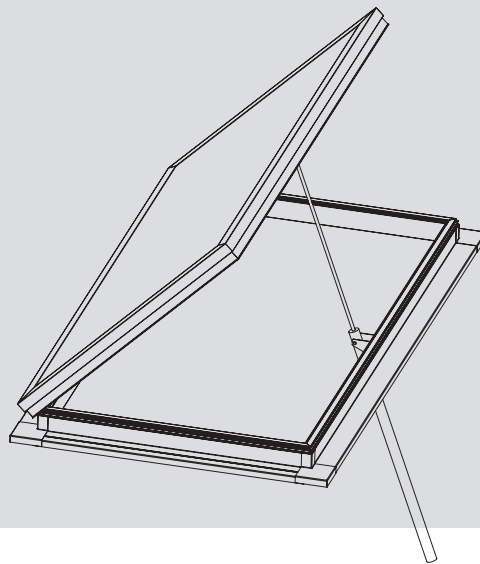


# Firelight

## Natural casement ventilator



### HIGH AERODYNAMIC, ACOUSTIC AND THERMAL PERFORMANCE

#### DESCRIPTION

Firelight is natural casement ventilator; suitable for natural day to day ventilation and smoke control. It has high aerodynamic, acoustic and thermal performance, providing extract ventilation for most kinds of industrial and commercial buildings. It is particularly suited for installation into glazing systems. Firelight has a single flap. For a double flap version, please refer to the leaflet entitled "Firelight Duo".

Firelight has been tested according to EN 12101-2 and is CE marked as a smoke and heat exhaust ventilator or as a window in accordance with EN 14351-1.

#### CONSTRUCTION AND FLAPS

All principal components of the base and flap are manufactured from EN AW-6063-T6 aluminium alloy. Both the outer frame and flap frame are thermally broken. The following kinds of flaps are available:

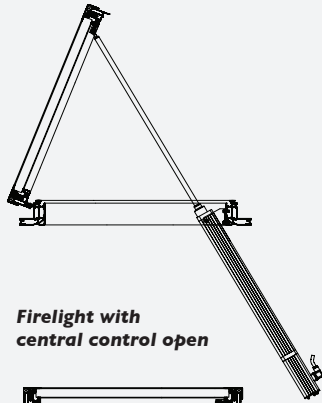
- Glass
- Polycarbonate
- Sandwich panels – insulated or uninsulated
- Aluminium.

Almost any kind of panel can be incorporated into the flap. The only restrictions are the panel thickness (min. 7mm – max 35mm) and a maximum panel weight of 197kg. Fixing flanges are between 8 and 34mm.

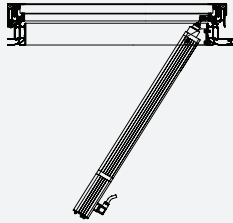
#### PRINCIPAL FEATURES AND BENEFITS

- Wide range of applications
- High performance
- Proven performance
- Efficient and weather resistant
- Easy to install
- Durable
- Low in maintenance
- Tested and certified for top performance

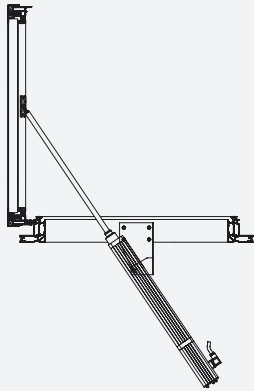




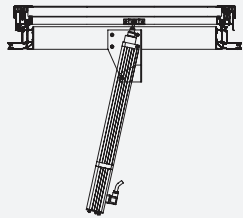
**Firelight with central control open**



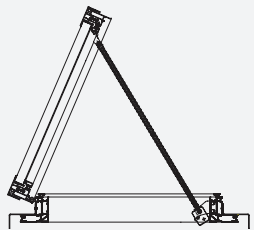
**Firelight with central control closed**



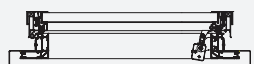
**Firelight with side control open**



**Firelight with side control closed**



**Firelight with chain drive open**



**Firelight with chain drive closed**

**TYPES OF FIRELIGHT**

- Single flap
- Single flap with side control
- Double flap ("Duo") see separate leaflet
- Chain drive (mechanism within the frame)

**DIMENSIONS**

Widths from 700 to 2500mm. Lengths from 700 to 2500mm (measured from outer flange to outer flange)

These are the maximum overall ventilator sizes:

- 2.64m<sup>2</sup> with one pneumatic cylinder
- 5m<sup>2</sup> with two pneumatic cylinders
- 3m<sup>2</sup> with one 24V DC actuator
- 5m<sup>2</sup> with two 24V DC actuators

These dimensions depend upon the type of flap, the geometry of the ventilator and its opening angle.

**INSTALLATION**

Firelight is designed to be installed principally on to a roof at any angle between 0° and 110° to the horizontal plane. Its many different flange types make it easy to install into almost any roofing or glazing system or onto any type of curb.

**FINISHES**

- Mill finish, standard
- Polyester powder paint to a RAL colour, standard 75 mu
- Anodised, standard 20 mu

**PERFORMANCE DETAILS**

|                              |   |
|------------------------------|---|
| Reliability class            | Re 1000   |
| Wind load class              | Varies with size and options, up to WL 2000   |
| Snow load class              | Varies with size and options, up to SL 2000   |
| High temperature class       | B 300   |
| Low temperature class        | T(00) to T(-25)   |
| Materials resistance to fire | E (to EN 13501-1)   |
| U value                      | up to 1.6 W/m <sup>2</sup> K  |
| Aerodynamic coefficient      | Up to 0.64  |
| Air permeability             | Class 3 - Maximum of 9m <sup>3</sup> /hr/m <sup>2</sup> or 2.25m <sup>3</sup> /hr/m at 100Pa (to EN 12207:1999) |
| Water tightness              | Class 9 A - No leaks at static pressure of up to and including 600Pa (to EN 12208:1999)                         |
| Sound insulation             | Weighted sound reduction index R'w up to 40 (-1:-4) dB  |

**CONTROLS**

- Pneumatic (for smoke and day to day ventilation)
- 24V DC linear drive electric (for smoke and day to day ventilation)
- 24V DC chain drive electric (for smoke and day to day ventilation)
- 230V AC electric (for day to day ventilation only)
- Manual (for day to day ventilation only)  
For both electric and pneumatic versions, either double-action locking mechanisms or failsafe open (pneumatic version only).

If used as a smoke ventilator, activation is either by local thermal fuse which opens the unit at a pre-selected temperature, or by responding to an external release signal.

All controls, except the chain drive version, are visible when the ventilator is closed whether the configuration is on the side, on top or underneath.

**PERFORMANCE**

Firelight has been tested to and in compliance with EN 12101-2 and is CE marked.

The performance attributes shown on the table below follow tests to EN 12101-2:2003 (standard for smoke and heat exhaust ventilators) and EN 14351-1:2006 (standard for windows and doors).

The exact performance attribute will depend on the chosen size, controls, and flap type.

Architectural Solutions

Climate Control

Smoke Control

Service and Maintenance

**Colt International Limited**

New Lane Havant  
Hampshire PO9 2LY  
Tel +44(0)23 9245 1111  
Fax +44(0)23 9245 4220  
info@coltgroup.com  
www.coltinfo.co.uk